

# Installation Instructions

## MP SYSTEM

---

Thank you for ordering Excalibur shelving. We assure you of a functional, durable shelving system which will serve you for years to come.

### Tools Required

- Tape Measure
- Straight blade screwdriver  
or 1/4" nut driver
- Hammer

### Receiving Instructions

Check parts against packing list.

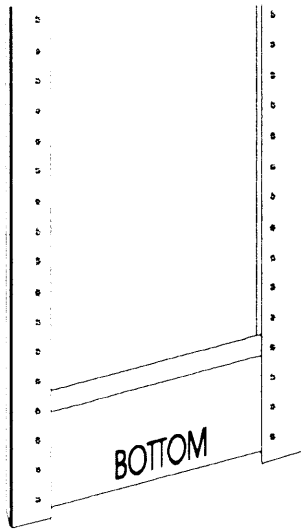
Inspect shipment for any damage caused during transit. Note damaged goods on bill of lading from shipping company.

Report this damage to the delivering carrier to process the claim for replacement parts.

P. O. Box 498 - 244 Burnham Intervale Road  
Contoocook, NH 03229  
(603)746-6200 - FAX (603)746-4165

**1** Find bottom of upright.

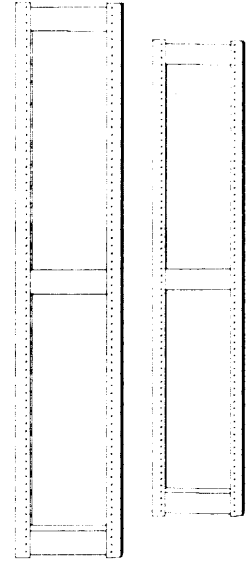
"Bottom" is stamped on bottom spreader of upright.



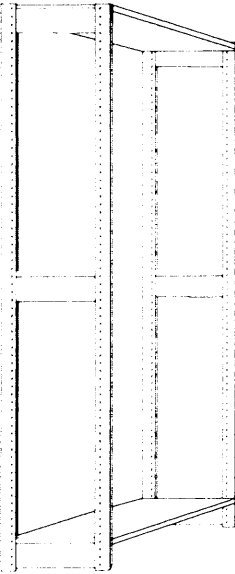
**2**

Set two uprights vertically on floor.

Bottom of uprights

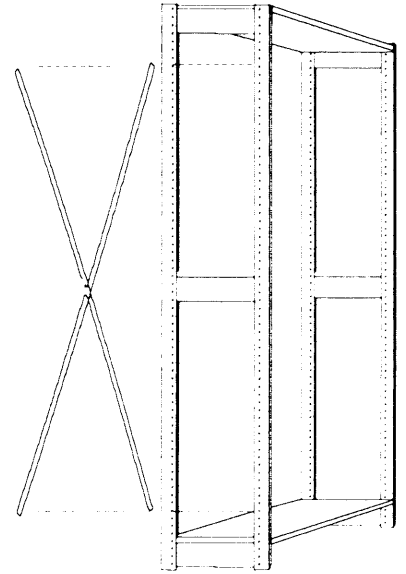


**3** Set top and bottom shelves above each spreader.

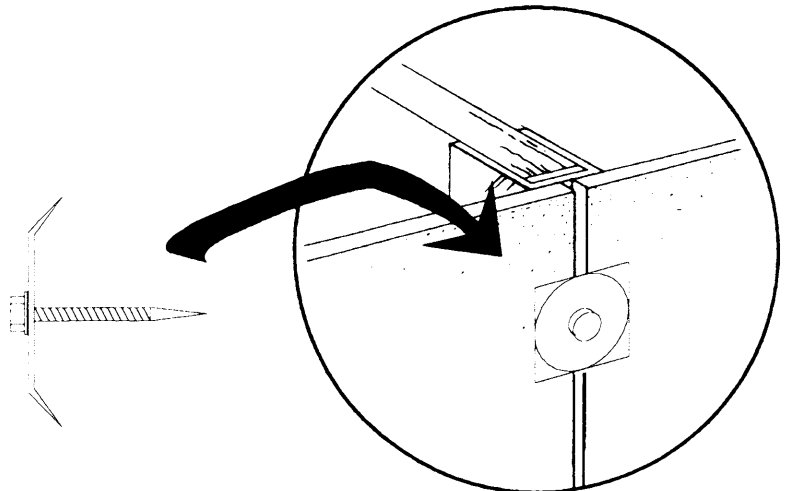
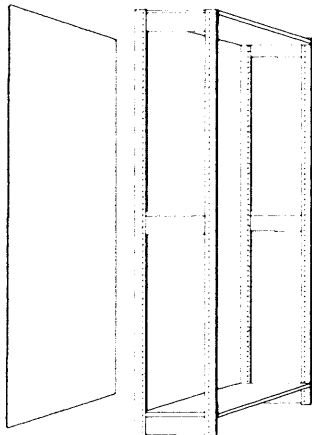


**4**

If X-braces are used, attach x-brace to upright through pre-drilled holes with screws.



**5** If hardboard backs are used, loosely insert TEK screws with HBP clip on faces of uprights. Slide hardboard backs under HBP clip and tighten screws. Use three HBP clips per side for units up to 8'. Units over 8', use five clips per side.



**6** To build add-on units, add another upright and set shelves above each spreader.

Attach x-braces onto alternate units as shown.

**9** Clamp back to back units

Place clamp beneath top and middle spreaders.

**7** Set Shelves

Place four shelf pins in holes at desired location.

Set shelf on front pins and lay onto rear pins.

**10** Set Hangrods

Place four shelf pins in holes at desired location.

Set hangrod on rails

Set rails on front pins and lay onto rear pins.

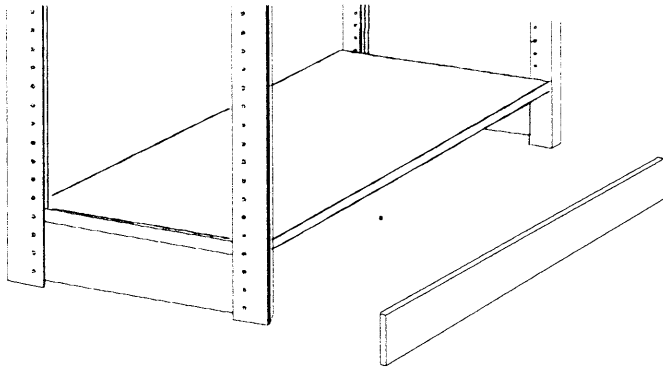
**8** Install Individual Kickplates

Screw metal kickplates to face of uprights.

11

Continuous Wood Kickplate

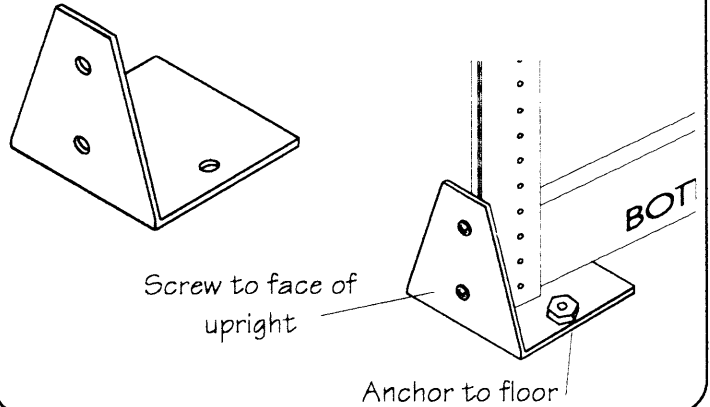
Cut random lengths of 1x6 to fit overall length of run. Attach to face of shelf with finish nails.



12

Floor Anchor

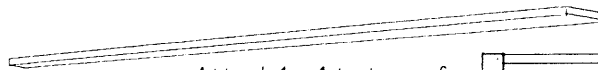
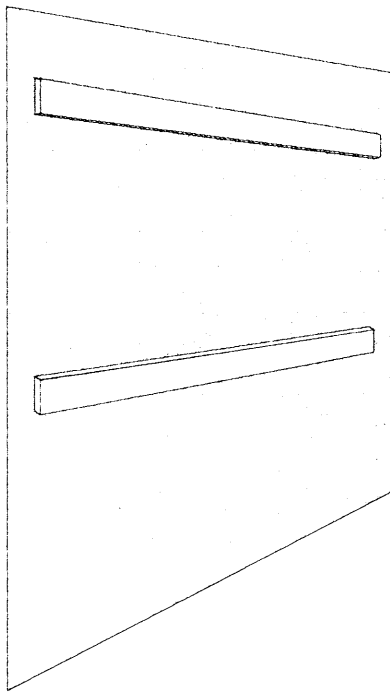
Position angle below upright and screw to face of upright. Anchor plate to floor with masonry screws or anchors.



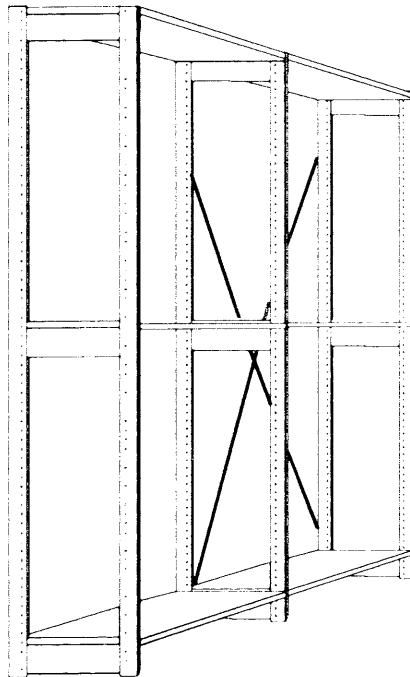
13

Wall Attachment

(Ordered separately)



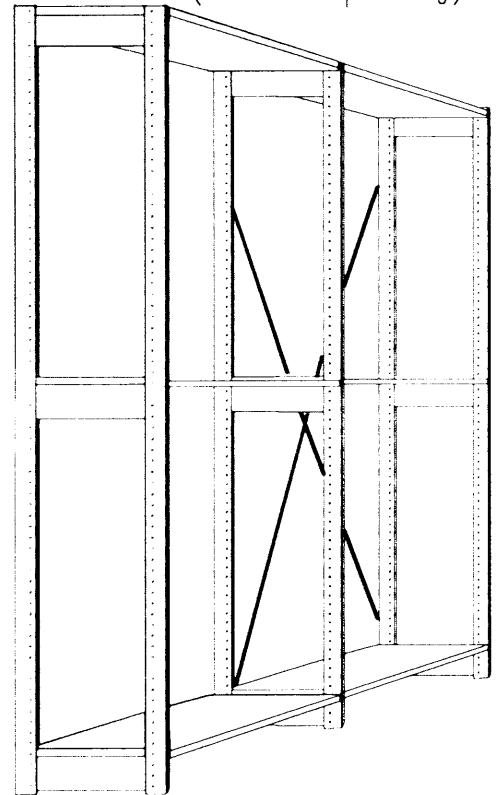
Attach 1 x 4 to tops of upright with appropriate hardware



Overhead Bracing

(Ordered separately)

14



Attach 1x4 strips to wall at top and center of units to align with holes in uprights. Attach to wall or studs with appropriate hardware.

If you experience any kind of problem with the components of your shelving or with the installation ... or if you would like to order additional shelving, call your sales representative or our customer service department at (603)746-6200.