

# Installation Instructions

## D SYSTEM

---

Thank you for ordering Excalibur shelving. We assure you of a functional, durable shelving system which will serve you for years to come.

### Tools Required

- Tape Measure
- Straight blade screwdriver  
or 1/4" nut driver
- Hammer

### Receiving Instructions

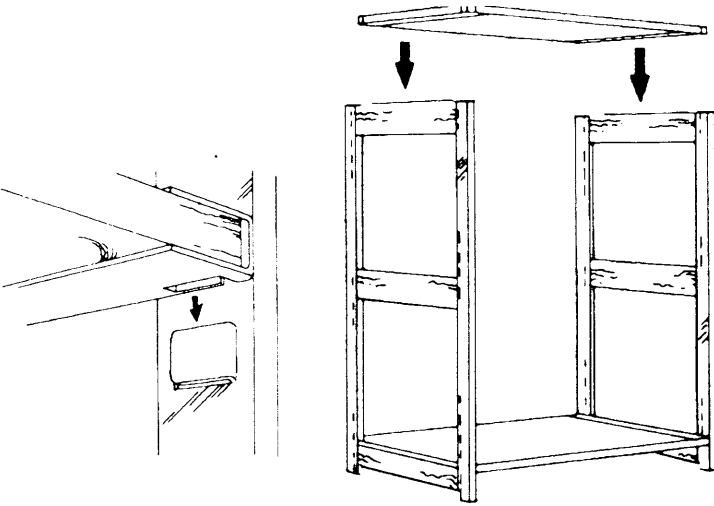
Check parts against packing list.

Inspect shipment for any damage caused during transit. Note damaged goods on bill of lading from shipping company.

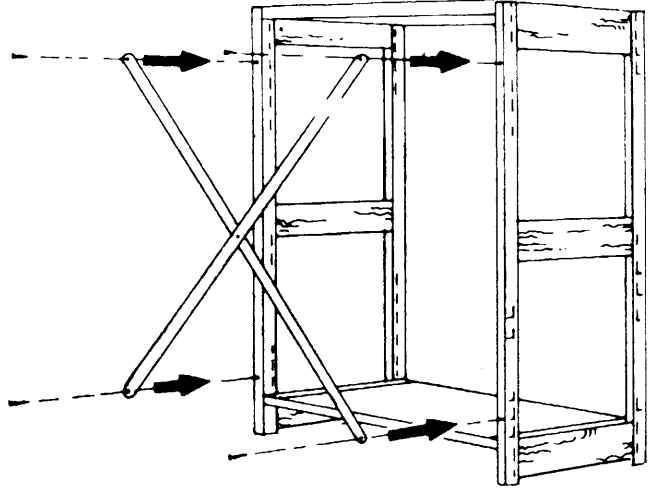
Report this damage to the delivering carrier to process the claim for replacement parts.

P. O. Box 498 - 244 Burnham Intervale Road  
Contoocook, NH 03229  
(603)746-6200 - FAX (603)746-4165

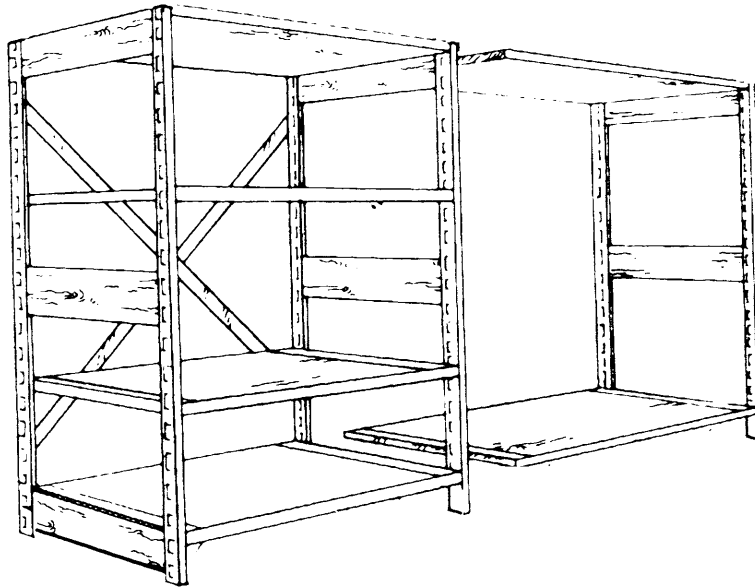
- 1** Hook ends of bottom shelf onto tabs of two matching uprights. Repeat with top shelf.



- 2** Install one x-brace for every other unit. Use two x-braces, one above the other, for units over 10' in height. Add remaining shelves.

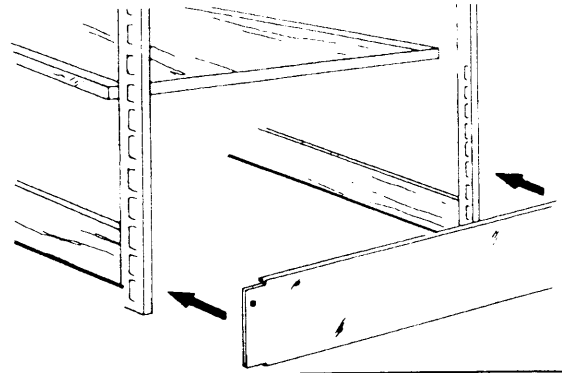


- 3** Add another upright and hook top and bottom shelves into place using same procedure as in Step 1. Add remaining shelves. All units 10' and taller should have aisle ties for stability.



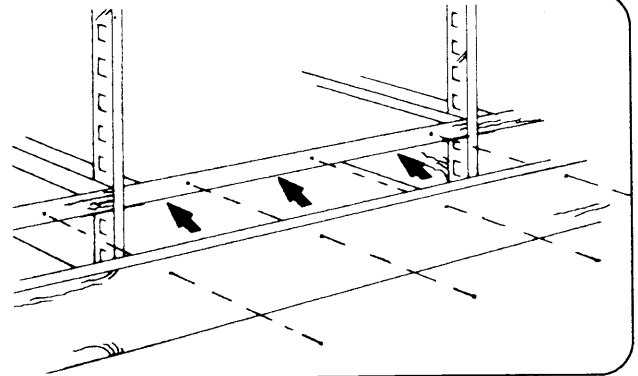
#### 4 METAL KICKPLATES

IF METAL KICKPLATE IS USED, place bottom shelf on third tab from bottom, screw ends of kickplate onto bottom of uprights, then proceed with step 1.



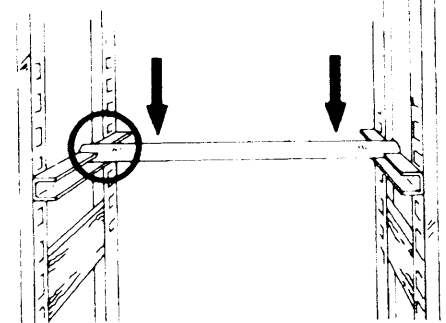
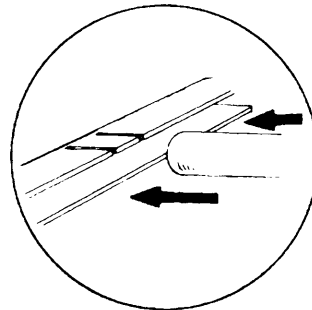
#### 5 WOODEN KICKPLATES

IF WOODEN KICKPLATE IS USED, **after** top and bottom shelves are in place, nail or screw kickplate to front edge of bottom shelf. Keep top edge of kickplate flush with top edge of shelf.



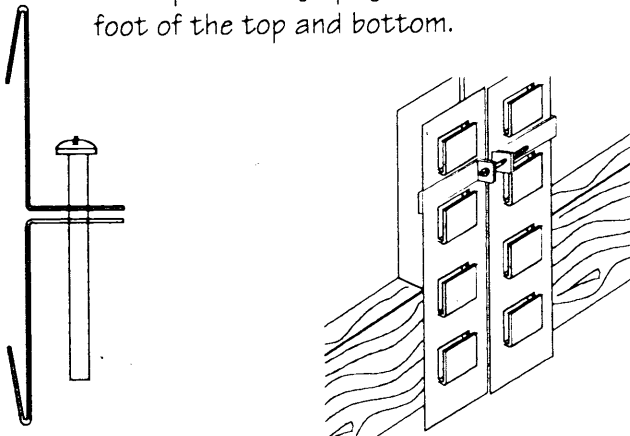
#### 6 HANGRODS

SLIDE HANGROD into slots in both shelf ends. Slide assembled hangrod between uprights and hook shelf ends down onto tabs.



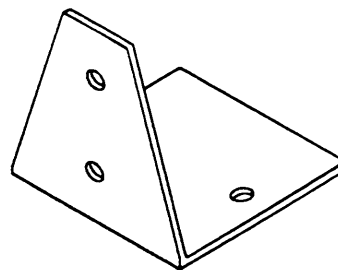
#### 7 BACK-TO-BACK CLIPS

TO FASTEN UNITS BACK TO BACK, use back-to-back clips. Position clips in upright groove and tighten screw. We recommend back-to-back clips on every upright in a run, within a foot of the top and bottom.

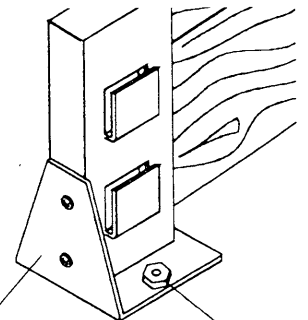


#### 8 FLOOR ANCHORS

TO FASTEN UNITS TO THE FLOOR, use the anchor plate. Position angle below upright and screw to face of upright. Anchor plate to floor with masonry screws or anchors.



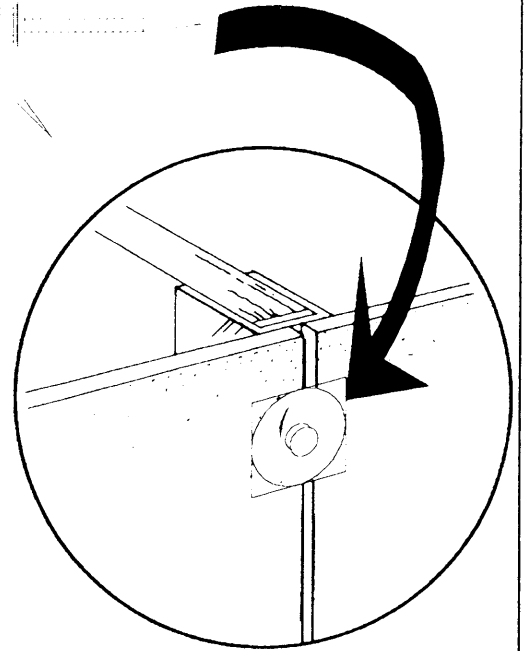
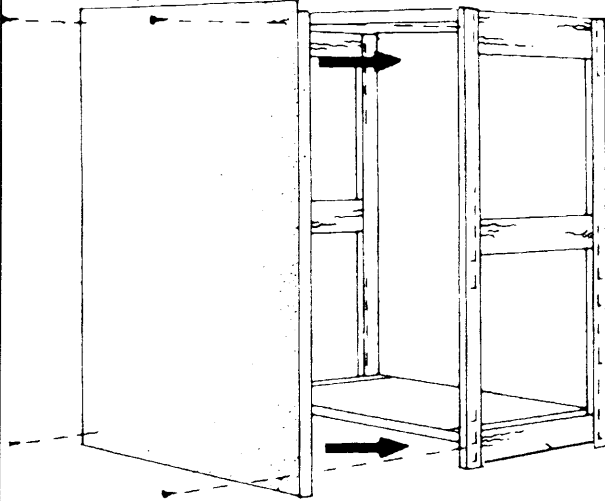
Screw to face of upright



Anchor to floor

## 9 HARDBOARD BACKS

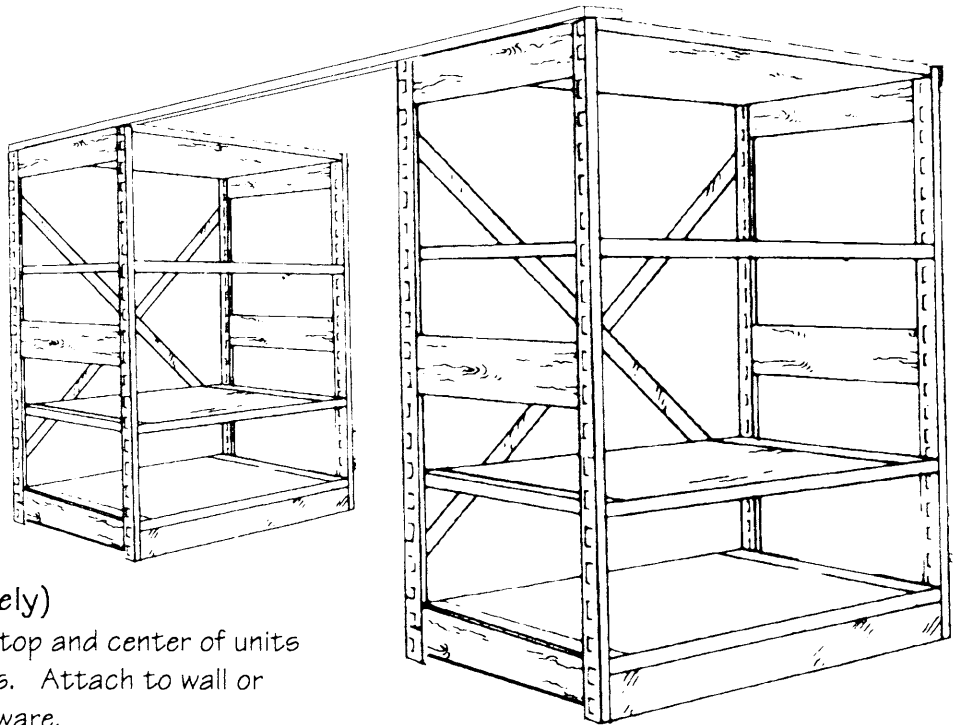
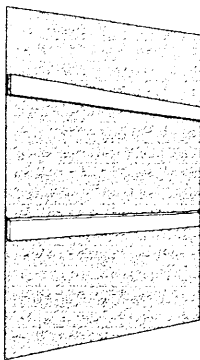
LOOSELY INSERT TEK SCREWS with HBP clip on faces of uprights. Slide hardboard backs under HBP clip and tighten screws. Use three HBP clips per side for units up to 8'. Units over 8', use five clips per side.



## 10 OVERHEAD BRACING

(Ordered separately)

Attach 1 x 4 to tops of upright or shelves with appropriate hardware



## 11 WALL ATTACHMENT

(Ordered separately)

Attach 1x4 strips to wall at top and center of units to align with holes in uprights. Attach to wall or studs with appropriate hardware.

If you experience any kind of problem with the components of your shelving or with the installation ... or if you would like to order additional shelving, call your sales representative or our customer service department at (603)746-6200.